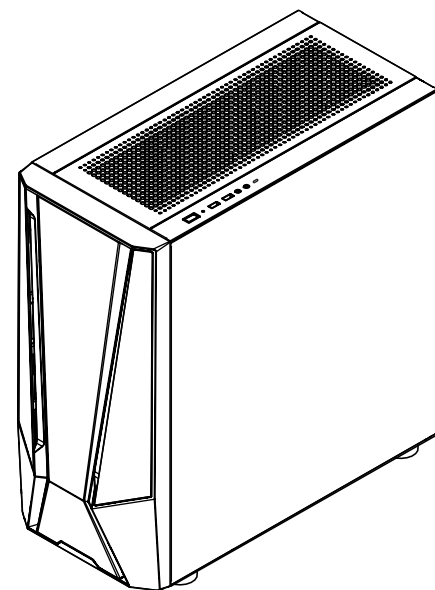


# iBUYPOWER Gen 7 Cases



Read up on all the cool features your new case has!



## Spec and Package Contents

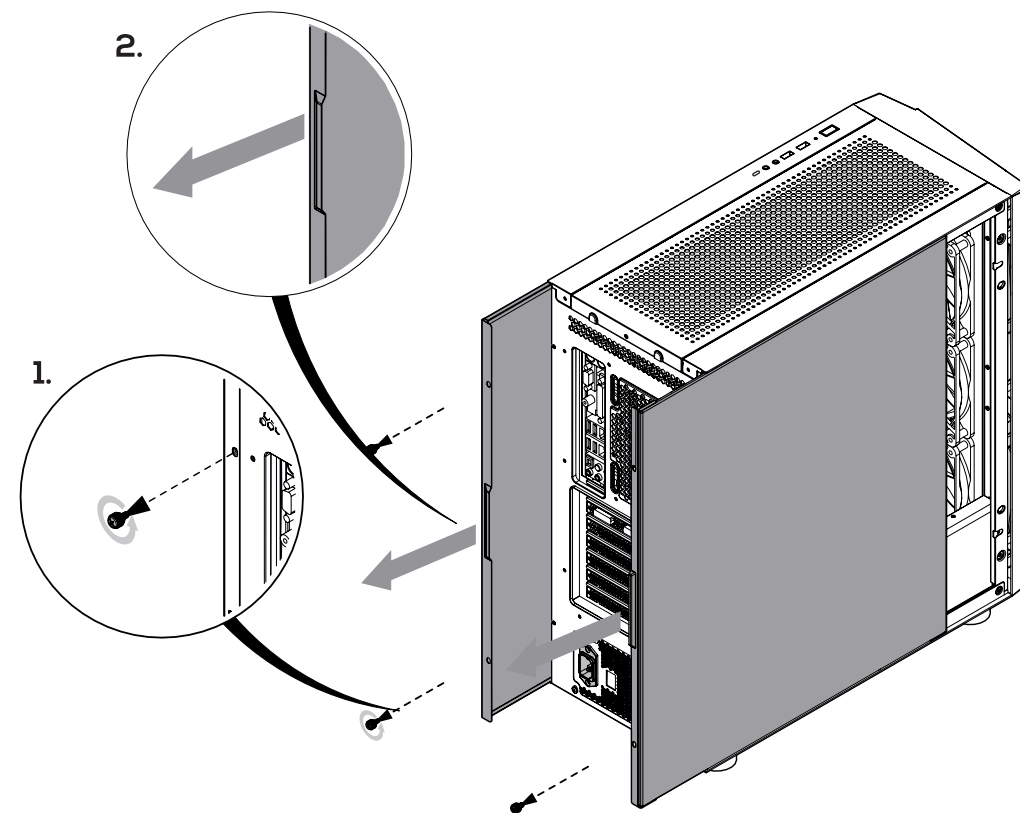
Material	ABS, Steel, Tempered Glass
Color	Black
Dimensions	480 mm x 220 mm x 491 mm
Motherboard Sizes	ITX, mATX, ATX, E-ATX
Cooling System	Front: 3x 120 mm aRGB Fans (included) Top: 3x 120 mm or 2x 140 mm Fans Rear: 1x 120 mm aRGB Fan (included)
Radiator Support	Front: 360/240/120 mm Top: 360/240/120/280/140 mm Rear: 120 mm
Clearance	GPU Length: 405 mm (with no fan in front) PSU Length: 218 mm (cable/connector included + front radiator) CPU Cooler Height: 168 mm
Expansion Slots	7 + 2
Internal 3.5	2 + 1
Internal 2.5	4
Front Panel I/O	USB 3.0 x 2, USB C (Optional), Audio
Dust Filters	Top (slide), PSU (slide)

Thank you for purchasing an iBUYPOWER 7th Generation Case. These instructions should help you with assembly and upgrades, whether these cases were purchased standalone or configured with an iBUYPOWER Gaming PC.

These instructions cover Trace 7 Mesh as well as all future generation 7 iBUYPOWER cases as all cases use identical chassis.

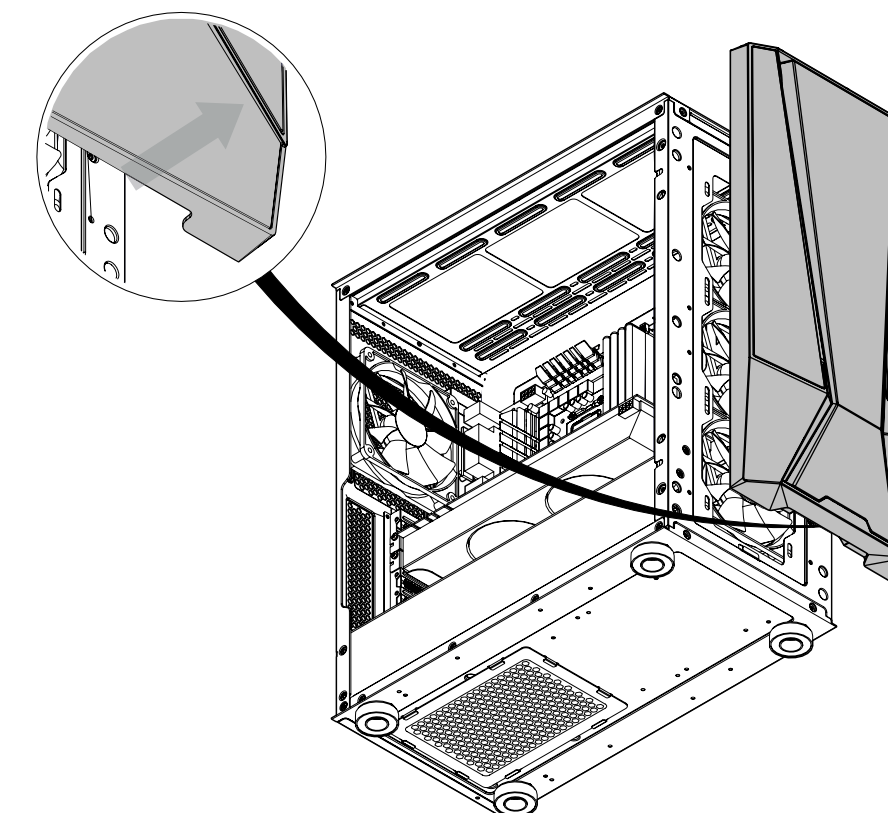
### Package Includes

- Case
- Assembly Screws
- Instruction Manual
- Zip Ties



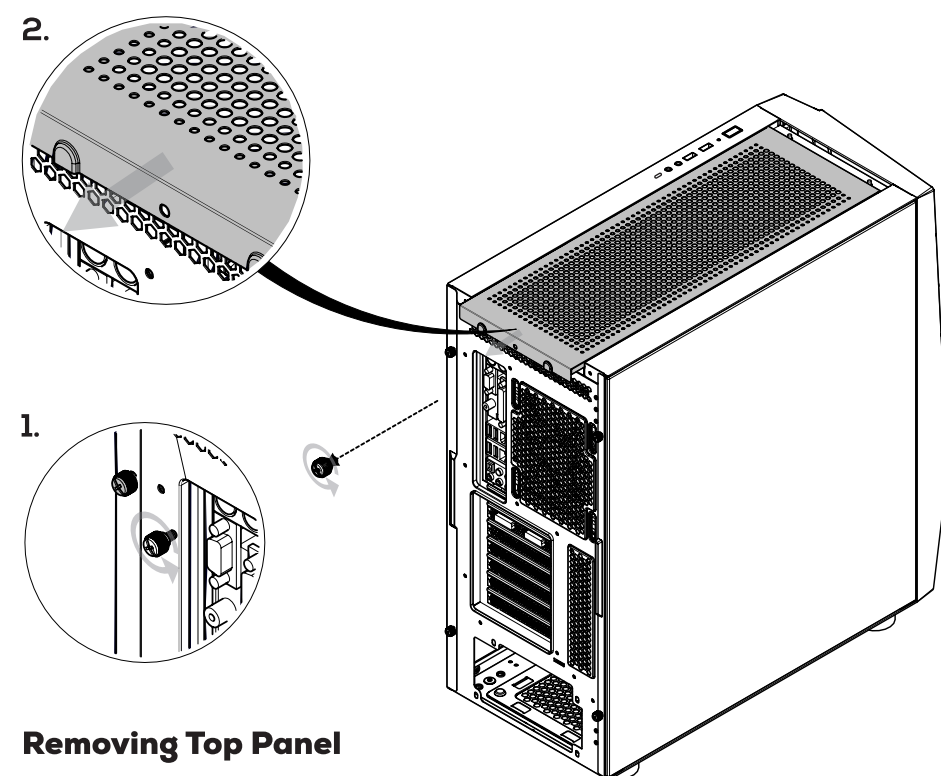
### Removing Side Panels

Both side panels can be removed by (1) undoing the screws at the rear of the case and (2) sliding the panel towards the rear.



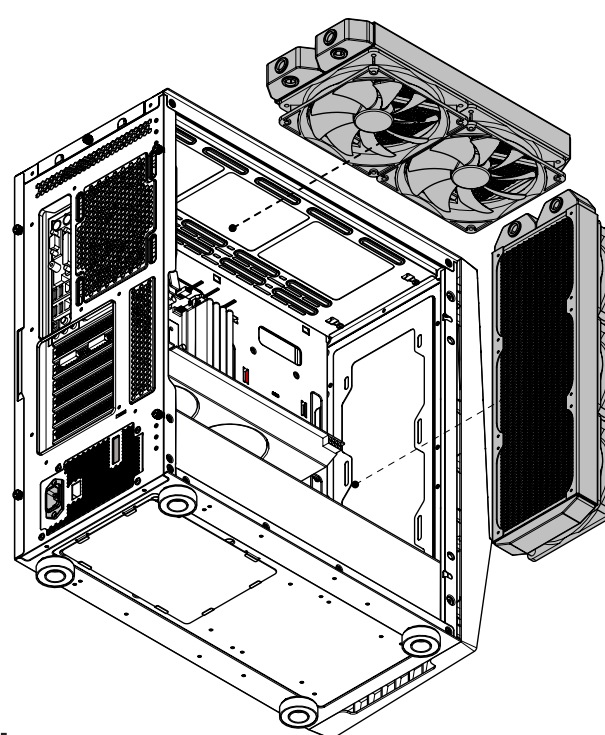
### Removing Front Panel

The front panel can be removed by pulling sharply along the bottom edge. There are no wired connections to the front panel.



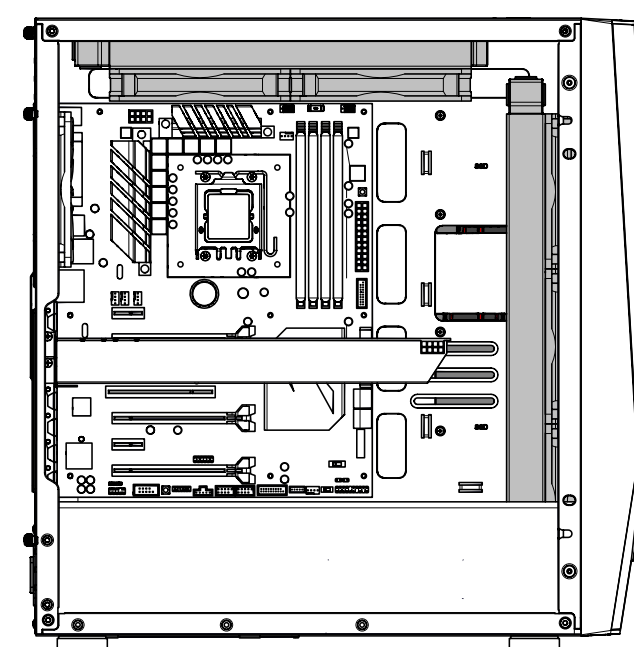
### Removing Top Panel

The top panel can be removed by (1) undoing the thumb screw at the rear of the case and (2) sliding the panel towards the rear. This panel contains the top dust filter.



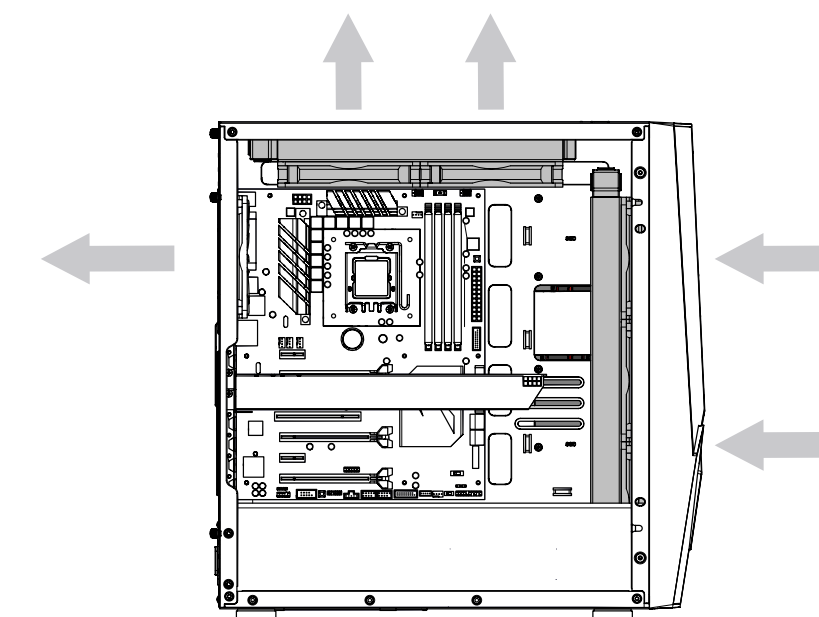
### Radiator Placement

This will fit up to a 360mm radiator on either the top or front of the case. Installing a 360mm radiator in either position will prevent a similarly large radiator from being installed in the other position, but a 240mm can still be installed.



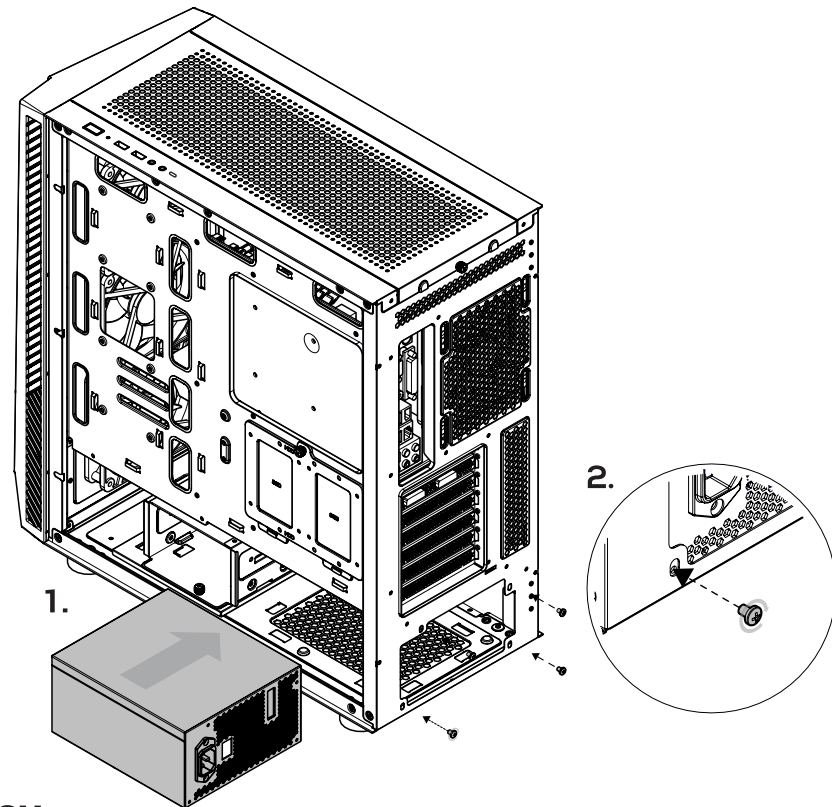
### Radiator Clearance

There is a designated 55mm clearance for radiator + fan on the top of the case. The front clearance is dependent on the length of the graphics card. The total clearance is 405mm to allow for push pull front mounted radiators and long graphics cards.



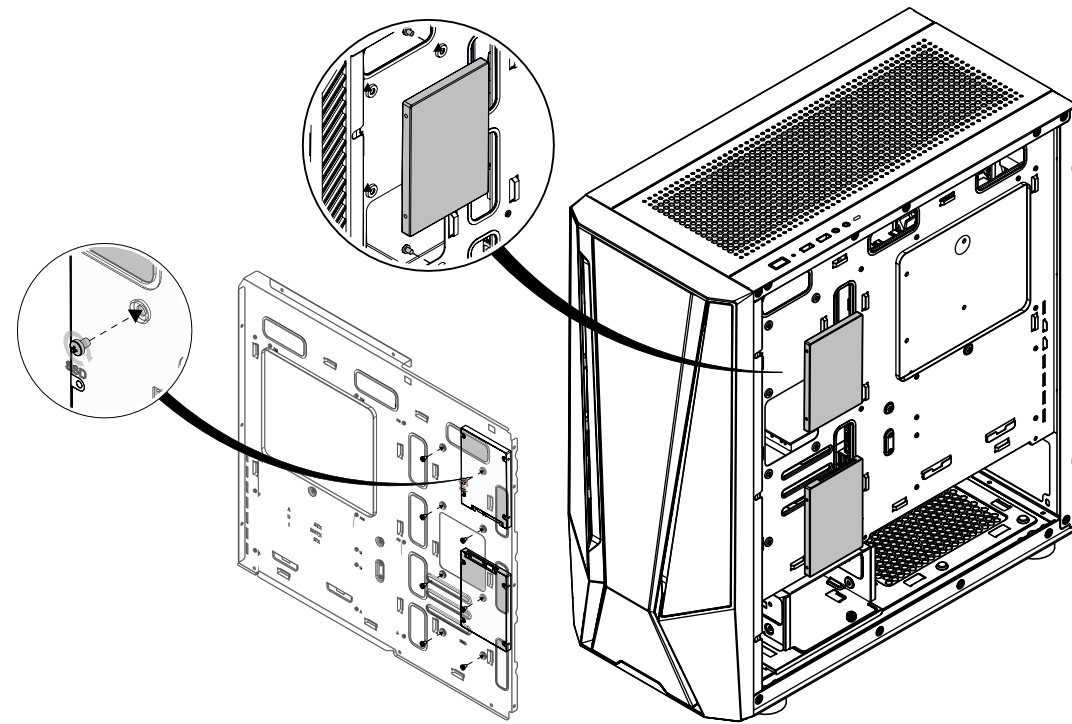
### Airflow

iBUYPOWER recommends a balanced airflow configuration, with a close to equal numbers of intake and exhaust fans. Fans should be positioned to move air rearwards and upwards in the case.



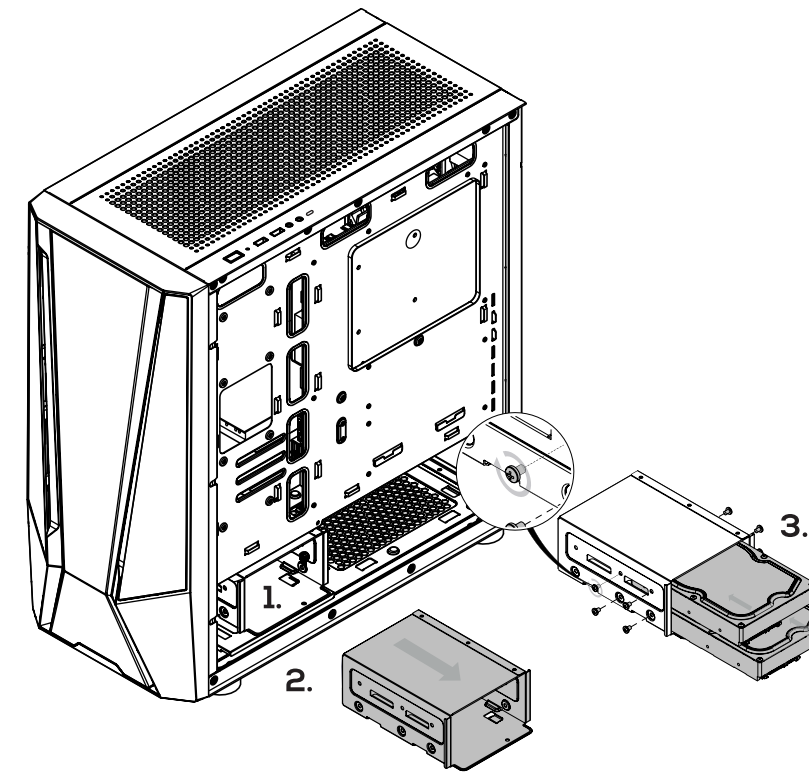
### Installing PSU

The power supply installs (1) through the cable management side of the case. (2) There are 4 screws at the rear to hold it in place.



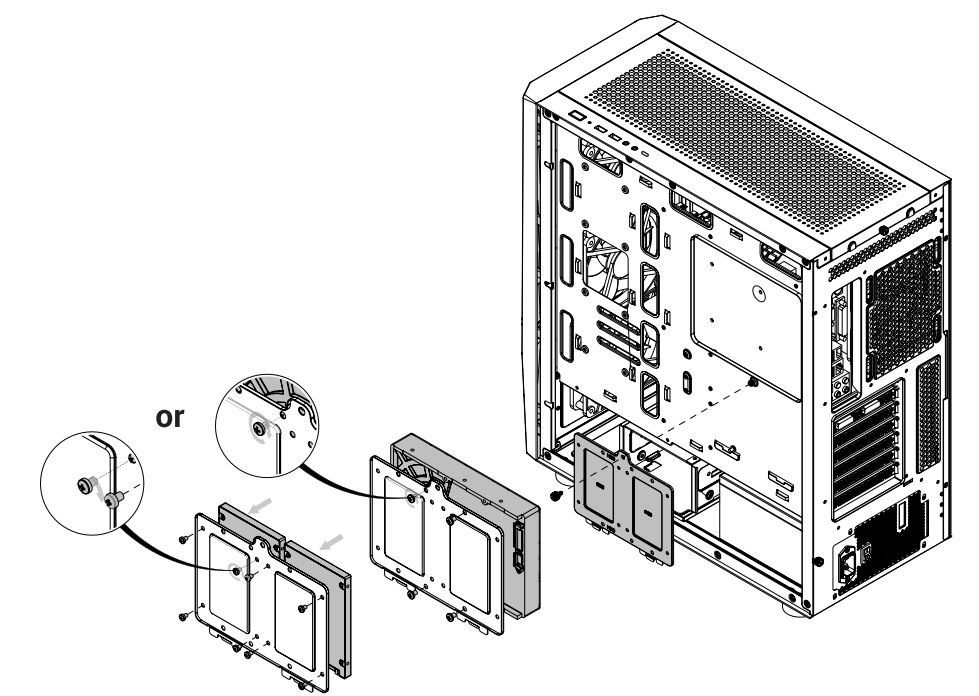
### Installing 2.5" Drives

2.5" Drives mount behind the motherboard tray with 4 screws each. Take care to allow clearance for the power and data connections.



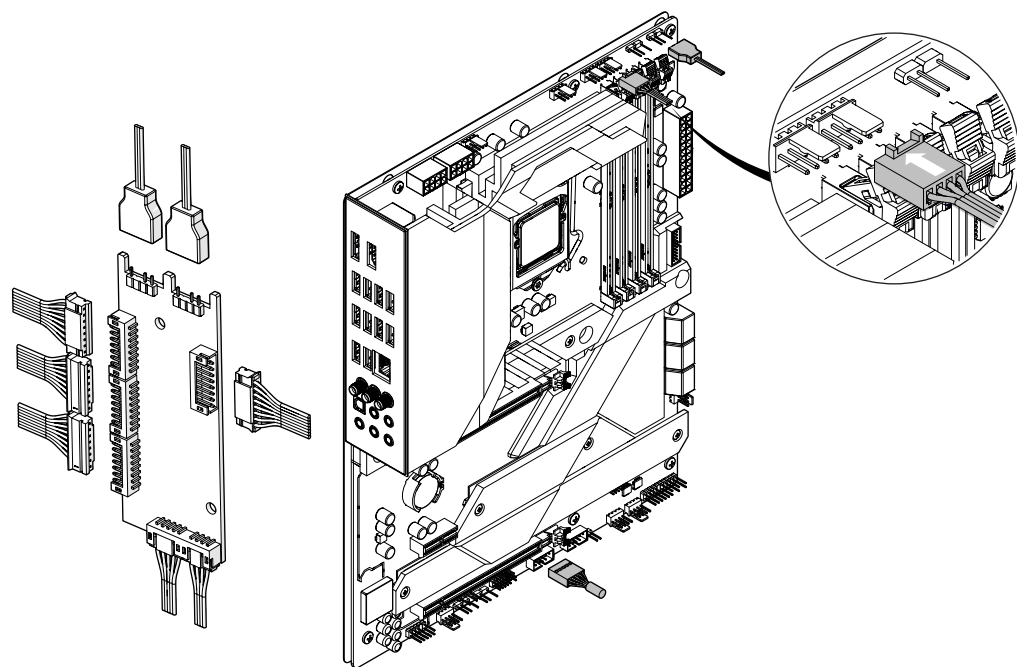
### Installing 3.5" Drives

The 3.5" drive cage must be removed to install 3.5" drives. (1) It is secured by 1 thumb screw at the outside of the cage. (2) After removing the thumb screw, the cage slides outwards and (3) 2 drives can be secured in the cage by screws on either side.



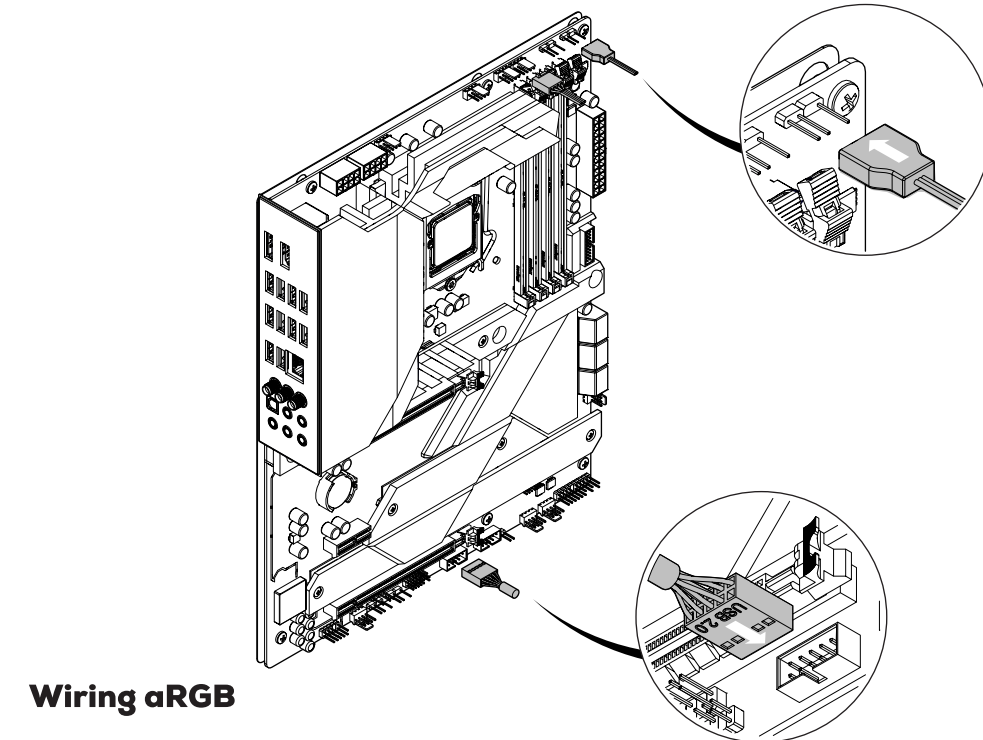
### Installing Other Drives

A removable mounting plate behind the motherboard tray can fit either 2 x 2.5" drives or 1 x 3.5" drive. Both styles of drive are first secured to the removable plate with screws from the back, and then the plate is hooked into the motherboard tray and secured with a thumb screw. Take care to allow clearance for the power and data connections.



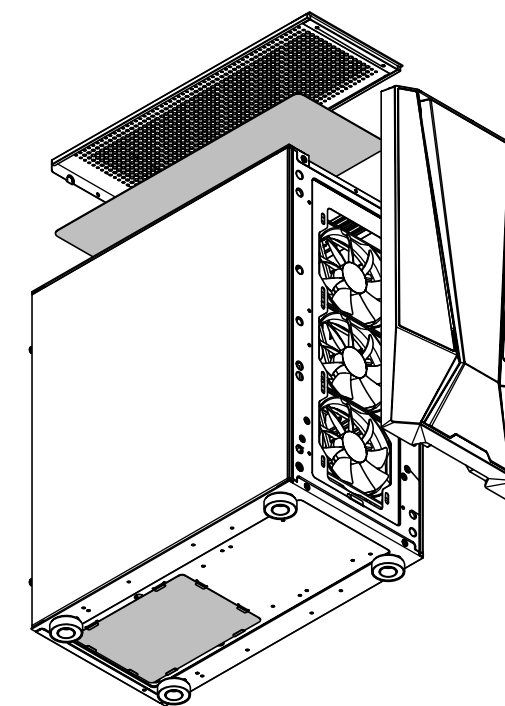
### Wiring Fans

This case comes by default with 4 aRGB fans that use a custom fan and LED hub. The fans have custom cables which will only connect to the hub. To power fans, there is a 4 Pin PWM header which should be plugged into the motherboard to control fan speed as well as a 12V Molex connector to the power supply. Fan speed can also be controlled via HYTE Nexus software.



### Wiring aRGB

The fans in this case feature addressable RGB LEDs. They receive their signal from a standard addressable RGB header. This header should be connected to a motherboard or standalone aRGB controller that uses the same 3 pin standard. A USB 2 header can be connected to enable control via HYTE Nexus software.



### Dust Filters

The case features 2 dust filters. The top dust filter is held within the removable top panel.

The power supply dust filter is held in place under the power supply intake and must be flexed to remove.

## HAVING TROUBLE? CONTACT US!

<https://www.ibuypower.com/support/contact-us>

**TECHNICAL SUPPORT:**  
Mon-Fri: 8:30am - 5:00pm PT  
Toll Free: (888) 618-6040

**CUSTOMER SERVICE:**  
Mon-Fri: 8:30am - 5:00pm PT  
Toll Free: (888) 462-3899

Scan the QR code to earn rewards, gear and more!

